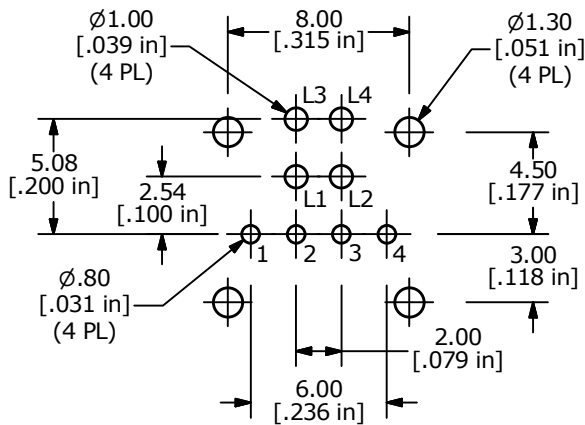
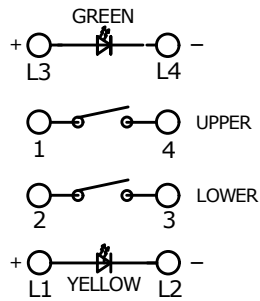


LED SPECS	UNITS	GREEN	YELLOW
FORWARD CURRENT	mA	20	20
FORWARD VOLATGE	V	2.1 TYP - 2.5 MAX	2.0 TYP - 2.5 MAX
LUMINOUS INTENSITY	mcd	300 TYP	2700 TYP



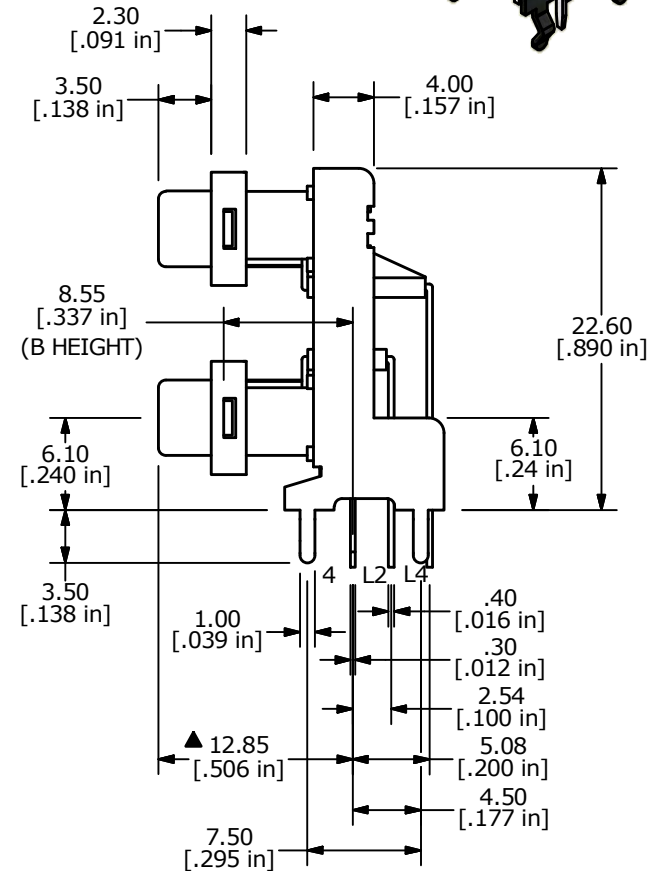
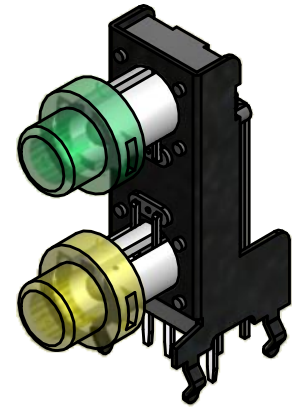
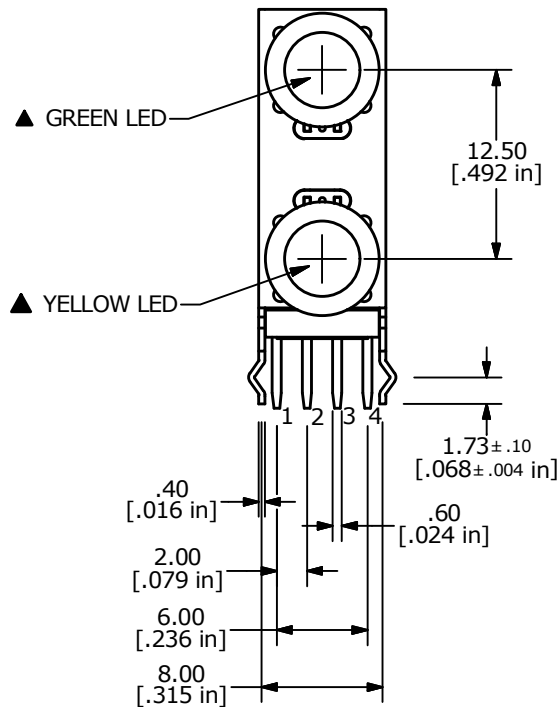
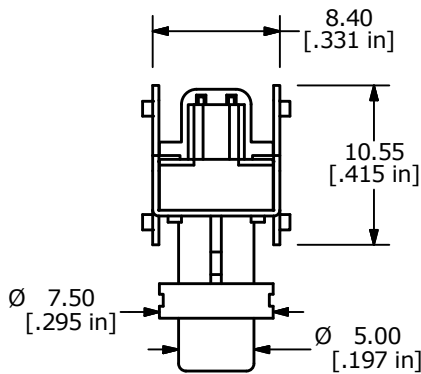
RECOMMENDED PCB LAYOUT



CIRCUIT DIAGRAM

NOTES:

1. ALL DIMENSIONS IN MM
2. GENERAL TOLERANCE: X.X = ±0.4
X.XX = ±0.25
3. TERM. NOS. FOR REFERENCE ONLY.
4. CONTACT RATING: 50mA @12VDC
5. TRAVEL: 0.25 ±0.1mm
6. CONTACT RESISTANCE: 100 Milli-Ohms Max.
7. OPERATING FORCE: 160 ± 50gf
- ▲ 8. CONTACT MATERIAL: SILVER
9. MECHANICAL LIFE: 500,000 CYCLES
10. OPERATING TEMP: -40°C TO 85°C
11. ▲ DENOTES CRITICAL PARAMETER.
- ▲ 12. PACKAGE: TRAY/ 84 PIECES PER
13. 2002/95/EC (ROHS) COMPLIANT



A	22065	RELEASE FOR PRODUCTION	11/25/15	MW
REV	PCR NO	DESCRIPTION	DATE	BY

TITLE TL3253BGABYAF160Q				
SCALE	DATE	DR	DWG	REV
2:1	11/24/2015	MW	B060012	A

THE INFORMATION CONTAINED IN THIS DOCUMENT IS PROPRIETARY TO E-SWITCH AND IS NOT TO BE COPIED OR TRANSFERRED